



辽冶矿产集团
LMM GROUP

BALL MILL



MQ Ball mill

Ball mill is widely used for milling various kinds of ores or rocks in metal and non-metal mining and building material industry.



Mainframe of ball mills is a low-speed rotating cylinder parallel mounted on two large bearing on the. Ball mill driven by a motor through reducer and peripheral large gears, or driven by low-speed synchronous motor directly through peripheral gears drives rotation unit to rotate. Inside cylinder is equipped with appropriate grinding mediums-steel balls. With the effect of centrifugal force and friction force, the grinding mediums are elevated to a certain height, tossed and dropped. Grinding materials are fed constantly into the cylinder from feeding inlet and crushed by moving grinding mediums. With the force of run-off and continuous feeding, the products are discharged for next process.

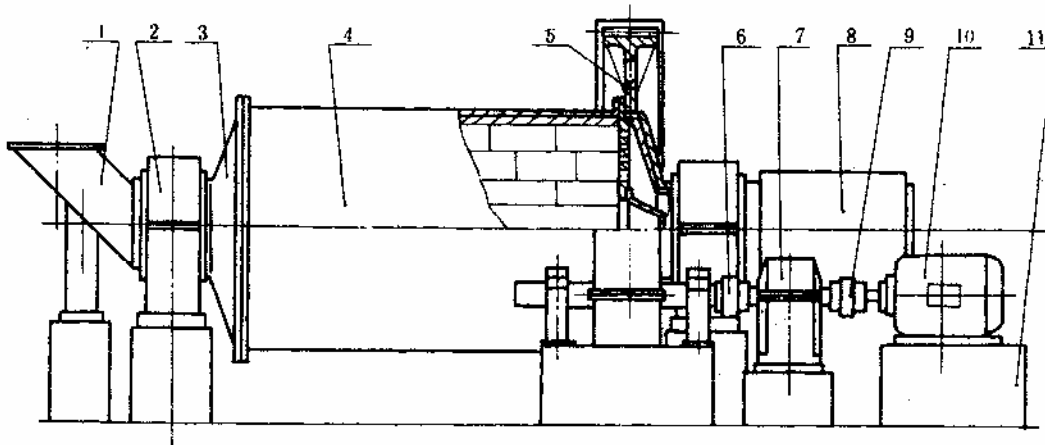
Cylinder diameter 900 ~ 2100mm mill is driven by Y series asynchronous motor with high starting torque and JR type of asynchronous motor. Large-scale ball mill applies mill-specific TDMK Low-speed synchronous motor. Through connection of air clutch and pinion, it achieves

single-stage reducing transmission, which drives rotation unit to rotate. Due to equipped air clutch, it can achieve the motor - the host sub-start, reduction of start-up power and improvement of start-up condition. Transmission bearing applies double-row centripetal spheric roller bearings of MQY5064 Ball, peripheral gears applies large module alloy steel skew gear for steady transmission with low noise and high life. Large gear is equipped with radial sealing gear cover which achieves effective sealing. Lubrication of large gear applies grease spraying gun, which periodically sprays certain quantity of lubrication grease to the working section of large gear for lubrication.

Main bearing of mill with cylinder diameter of 900 ~ 2100mm applies spherical bearings. Mill with cylinder diameter over 2700mm applies completely self-closing "rocker" type bearing which can automatically self-align 120° 。 These bearings apply plumbic hardening babbit, under which water-cooling copper pipes are buried. Bearings with high static pressure structure apply high pressure and low pressure mixed oil station for lubrication. Main bearings apply piston ring with rubber and grease for good sealing off the outside world.

Large-scale mills are equipped with low-speed transmission equipments which can ensure the main frames acquire rotation speed of 0.15r/min, the transmission equipments are used for barring, repair or loose loading. The equipped roof tank is used for jacking up rotation unit for inspection.





Drawing 1 Structural Drawing of Ball Mill

- 1 feeder unit 2 main bearing unit 3 feeding unit 4 shell unit
 5 transmission unit 6 coupling 7 redactor 8 Discharging unit
 9 Coupling 10 Motor 11 Foundation unit

Description of type and specification

M	Q	□	××	××	
					length of shell (mm/100)
					diameter of shell (mm/100)
					G- dry grid type S- wet grid type
					Y- overflow type
) steel ball (grinding medium)
					mill

Marked example:

- 2700×3600 wet type grid ball mill
 MQS 2736 ball mill

table 1

Performance Parameter Table of MQS Wet Type Grid Ball Mill

type and specification	MQS		MQS		MQS		MQS		
	0909	0918	1212	1224	1515	1530	2122	2130	
drawing No.	K9272	K9273	K9261	K9260	K92513	K92514	K9245	K92411	
(mm)shell diameter	900		1200		1500		2100		
(mm)shell length	900	1800	1200	2400	1500	3000	2200	3000	
m ³	0.5	1	1.2	2.4	2.5	5	6.6	9	
(t)fed media quantity	0.96	1.92	2.4	4.8	5	10	15	20	
(r/min)speed	39.2		31.3		29.2		23.8		
(t/h)output	0.22~1.07	0.44~2.14	0.17~4.0	0.4~5.8	1.4~4.3	2.8~9	Refer to technological conditions		
main motor	type	Y225S-8	Y225M-8	Y250M-8	Y315S-8	JR115-8	JR125-8	JR128-8	JR137-8
	(kW)power	17	22	30	55	60	95	155	210
	(r/min)speed	720	730		725		730	735	
	(V)voltage	380							
outline of machine	(m)length	4.75	5.00	5.2	6.5	5.77	7.6	8	8.8
	(m)width	2.21	2.28	2.8		3.3		4.7	
	(m)height	2.05		2.54		2.7		4.4	
(t)total weight	4.62	5.34	11.4	13.43	1.39	1.74	42.2	45	
remarks	Total weight NOT including motor weight								

table 2

Performance Parameter Table of MQS Wet Type Grid Ball Mill

type and specification	MQS			MQS			MQS			
	2721	2727	2736	3230	3236	3245	3639	3645	3650	3660
drawing No.	K9235	K9236	K9237	K9225	K9226	K92212	K9216	K9218	K92112	K9214
(mm)shell diameter	2700			3200			3600			
(mm)shell length	2100	2700	3600	3000	3600	4500	3900	4500	5000	6000
m ³	10.8	13.9	18.5	21.8	18.5	32.8	36	41	46.2	57
(t)fed media quantity	23	29	39	46	58	65	75	90	96	120
(r/min)speed	20.5			18.5			17.5		17.3	
(t/h)output	Refer to technological conditions					95~110	Refer to technological conditions			230

main motor	type	JR147-8	JR148-8	TDMK 400-32	TDMK 500-36	TDMK 630-36	TDMK 800-36	TM1000 -36/3600	TDMK 1250-40	TM1400 -40/3250	TDMK 1600-40
	(kW)power	260	310	400	500	630	800	1000	1250	1400	1600
	(r/min)speed	735		187.5	167			150			
	(V)voltage	3000			6000						
outline of machine	长度(m)length	9.28	9.9	11.9	13.7	14.3	15.6	15	15.2	17.6	17
	宽度(m)width	5.5		5.7	6.76			7.2	7.75		8.8
	高度(m)height	4.5	4.4	4.5	5.2			6.3		6.5	
(t)total weight		62	66	77	107.7	114.7	123	145	159.7	158	189
remarks		Total weight NOT including motor weight									

table 3

Performance Parameter Table of MQG Dry Grid Type Ball Mill

型号规格 type and specification	MQG		MQG		MQG		MQG	MQG	
	0909	0918	1212	1224	1515	1530	2122	2714	
图号 drawing No.	K9270	K9271	K9263	K9262	K92510	K92511	KY9241	K92111	
筒体直径(mm)shell diameter	900		1200		1500		2100	2700	
筒体长度(mm)shell length	900	1800	1200	2400	1500	3000	2200	1450	
有效容积 m ³	0.5	1	1.2	2.4	2.5	5	6.65	2.87	
最大装球量(t)fed media quantity	0.96	1.92	2.4	4.8	4	8	14	3	
工作转速(r/min)speed	39.2		31.3		29.2		23.8	21.1	
产量(t/h)output	0.165~0.8	0.33~1.6	0.16~2.6	0.26~6.15	1~3.5	2~6.8	5~29	3	
主电机 main motor	型号 size	Y225S-8	Y225M-8	JQO ₂ 82-8	JQO ₂ 92-8	JR115-8	JR125-8	YR355M-8	Y280M-6
	功率 (kW)power	18.5	22	30	55	60	95	160	55
	转速 (r/min)speed	730				725		730	980
	电压 (V)voltage	380							
机器外形尺寸 outline of machine	长(m)length	3.12	3.62	5.1	6.5	5.655	7.48	9.2	6.315
	宽(m)width	2.21	2.23	2.8		3.26	3.3	4.9	3.562
	高(m)height	2.02		2.5		2.7		4.4	4.519
机器总重量(t)total weight		4.39	5.36	10.5	12.545	13.48	18	47	22.6
备注 remarkss		total weight NOT including motor weight							

table 4

Performance Parameter Table of MQY Overflow Ball Mill

型号规格 type and specification	MQY	MQY	MQY	MQY		MQY			
	0918	1224	1530	2130	2136	2721	2736	2740	
图 号 drawing No.	K9274	K9264	K92519	K9247	K2112	K9234	K9238	K92310	
筒体直径(mm)shell diameter	900	1200	1500	2100		2700			
筒体长度(mm)shell length	1800	2400	3000		3600	2100	3600	4000	
有效容积 m ³	1	2.4	5	9	11	10.4	18.5	20.6	
最大装球量(t)fed media quantity	1.66	4.8	8	18	20	24	39	38	
工作转速(r/min)speed	39.2	31.3	29.2	23.8		21.8	20.5		
产量(t/h)output	0.37~1.8	0.36~5.18	按工艺条件定 Refer to technological conditions						
主电机 main motor	型 号 size	Y225M-8	Y315S-8	JR125-8	JR137-8		JR1410-8	TDMK400-32	
	功率 (kW)power	22	55	95	210		280	400	
	转速 (r/min)speed	730		725	735		740	187.5	
	电 压 (V)voltage	380						6000	
机器外形尺寸 outline of machine	长(m)length	5.08	6.63	7.44	8.8	9.3	9.4	11.4	11.85
	宽(m)width	2.3	2.8	3.34	4.7		5.6	5.7	
	高(m)height	2.02	2.5	2.76	4.4		4.7	4.5	
机器总重量(t)total weight	5.4	12.24	16.28	43.2	46.8	63.9	70	78.8	
备 注 remarks	机器总重不含电机重 Total weight NOT including motor weight								

table 5

Performance Parameter Table of MQY Overflow Ball Mill

type and specification	MQY			MQY				MQY	MQY	MQY
	3245	3254	3260	3645	3650	3660	3690	4060	4561	5164
drawing No.	K9227	K92211	K92214	K9217	K92111	K9219	K92113	K9280	K9281	K9291
(mm)shell diameter	3200			3600				4000	4572	5100
(mm)shell length	4500	5400	6000	4500	5000	6000	9000	6000	6100	6400
m ³	32.8	39.5	43.7	41	46.2	55	83	69.9	93.3	117.8
(t)fed media quantity	61	73	81	76	86	102	163	113	151	218
(r/min)speed	18.5			17.5	17.3			16.8	15.1	13.8
(t/h)output	Refer to technological conditions									

主电机 main motor	型 号 type	TDMK 630-36	TM1000-36/2600			TM1250-40/3250		TM1800 -30/2600	TDMK 1500-30/2600	TDMK 2200-32	TM 2600-30
	功率 (kW)power	630	1000			1250		1800	1500	2200	2600
	转速 (r/min)speed	167			150		200		187.5	200	
	电 压 (V)voltage	6000									
机器外 形尺寸 outline of machine	长(m)length	14.6	15.8	15.084	15.0	17.157	17.0	19.187	16.555	16.563	14.0
	宽(m)width	6.7			7.2	7.755	7.7	9.793	8.418	9.213	8.3
	高(m)height	5.15		5.196	6.3	6.326	6.3	7.493	7.429	8.132	9.0
机器总重量(t)total weight	112	121	138.2	135	145	154	212	213	272	290	
备 注 remarks	Total weight NOT including motor weight										

表 6 table 6

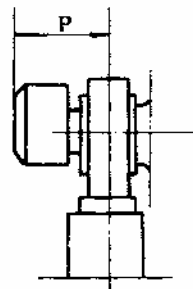
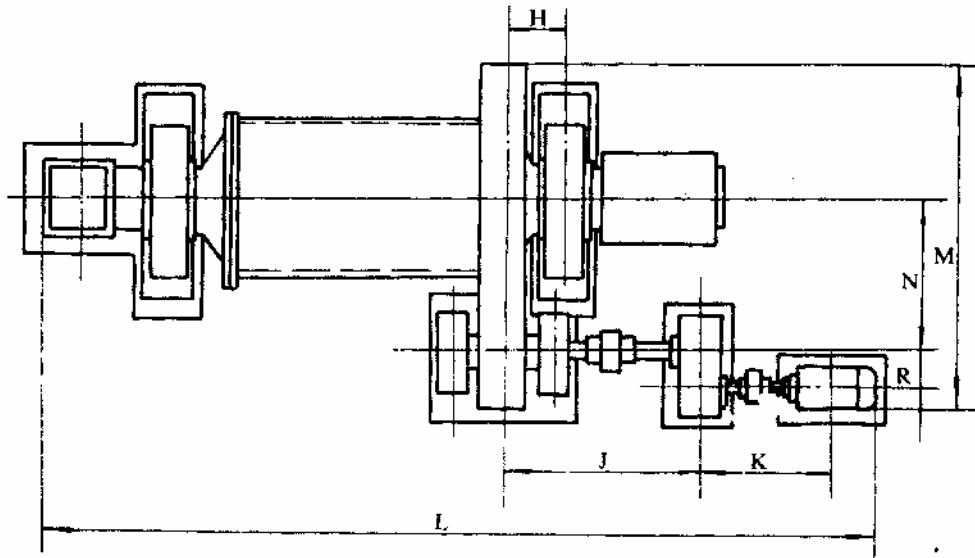
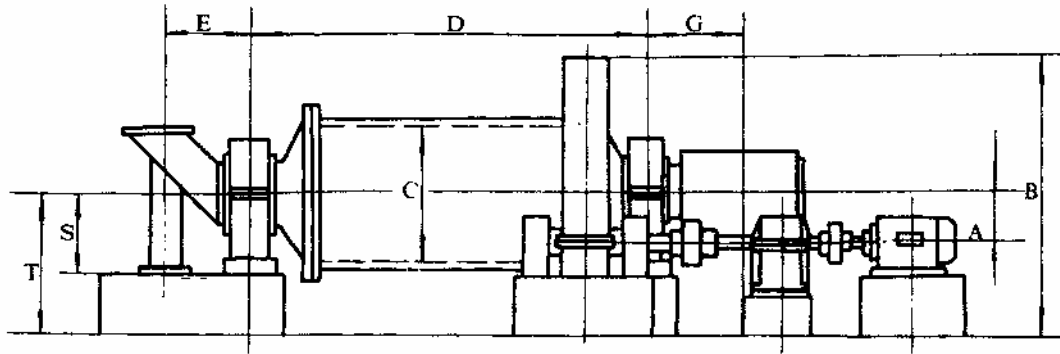
Outline Dimension Table of Dry Grid Type Ball Mill (mm)

型号规格 Type and specification	A	B	C	D	E	G	H	J	K
MQG 0909	145	2015	900	1550		357	297	1146	692
MQG 0918				2450					704.5
MQG 1212	200	2540	1200	2205	600	600	510	1353	853
MQG 1224				3405					909
MQG 1515	300	2766	1500	2580	600	620	555	995	980
MQG 1530				4080					1130
MQG 2122	450	4394	2100	3780	795	800	800	1395	1343

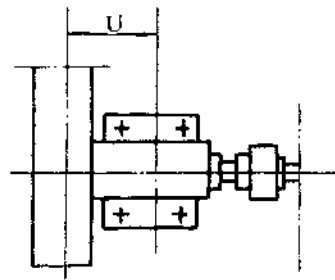
表 7 table 7

Outline Dimension Table of Dry Grid Type Ball Mill (mm)

Type and specification	L	M	N	P	R	S	T	U
MQG 0909	3115	2210.4	900.4	442	200	410	1165	376
MQG 0918	3621	2215.4						
MQG 1212	5163	2807.6	1077.6		300	630	1500	440
MQG 1224	6483	2867.6						
MQG 1515	5655	3236	1170		300	730	1600	
MQG 1530	7485	3341						
MQG 2122	9135	4839	1845		600	800	2600	



Drum feeder unit



cantilever pinion device

Drawing 2 Outline Drawing of Dry Grid Type Ball Mill

表 8 table 8

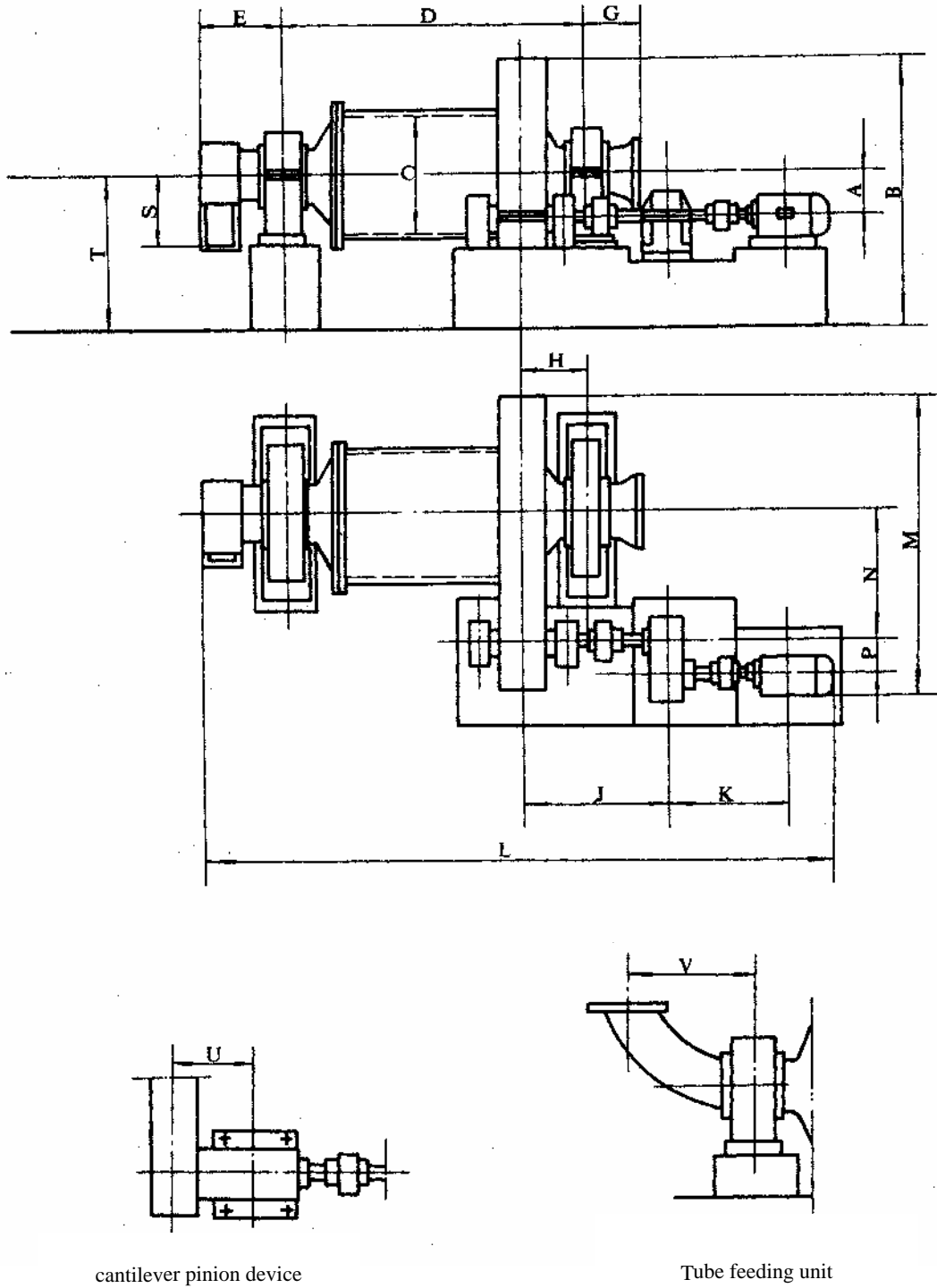
Outline Dimension Table of Wet Ball Mill with Reducer (mm)

型号规格 Type and specification	A	B	C	D	E	G	H	J
MQS 0909	145	2015	900	1550	596	292	297	770
MQS 0918				2450	596	292		
MQY 0918				2450	598	290		
MQS 1212	200	2540	1200	2205	860	447	510	1353
MQS 1224				3405				
MQY 1224				3405				
MQS 1515	300	2766	1500	2580	900	442	555	995
MQS 1530				4080				1060
MQY 1530				4080				
MQS 2122	450	4420	2100	3780	1215	670	800	1325
MQS 2130				4580		665		
MQY 2130				4440		670	660	
MQY 2136				5040				
MQS 2721	400	4450	2700	3924	1510	810	912	2090
MQS 2727				4524				
MQY 2721	350	4674.5		3800	1475	778	780	2120

表 9 table 9

Outline Dimension Table of Wet Ball Mill with Reducer

型号规格 Type and specification	K	L	M	N	P	S	T	U	V
MQS 0909	692	4075	2210.4	900.4	200	410	1165	376	
MQS 0918	704.5	5000	2335.4						
MQY 0918		5002							
MQS 1212	853	5208.5	2802.6	1077.6	300	630	1500	440	
MQS 1224	919	6628	2877.6						
MQY 1224									
MQS 1515	980	5765	3236	1170	300	730	1600		
MQS 1530	1130	7595	3341		350				
MQY 1530		7445						590	
MQS 2122	1295	8000	4740	1845	500	1120	2600		
MQS 2130	1315	8800							
MQY 2130									
MQY 2136								9255	4742
MQS 2721	1565	9282	5546	2100.35	600	880	2450		
MQS 2727		9982							
MQY 2721	1615	9485	5677	2182.11		1050	2580		



Drawing 3 Outline Drawing of Wet Ball Mill with Reducer

表 10 table 10

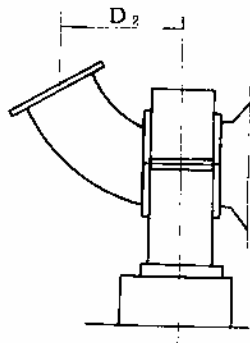
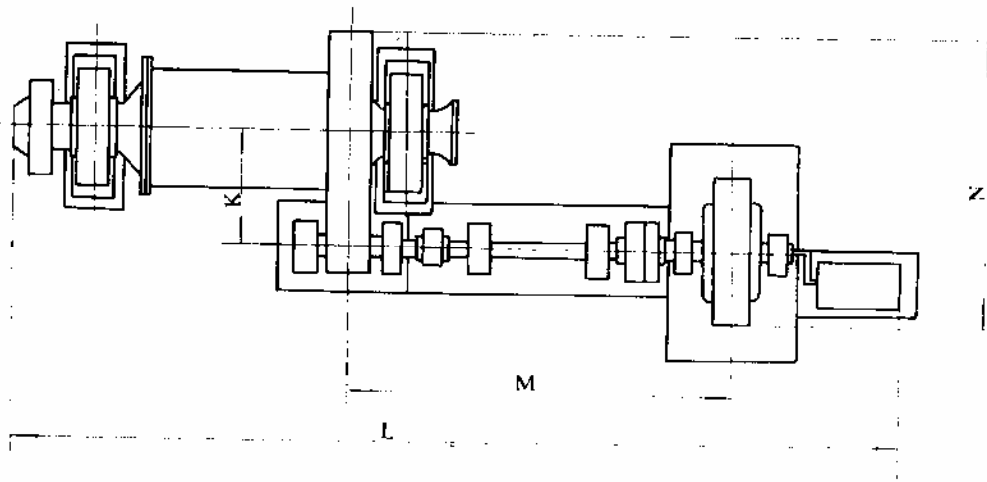
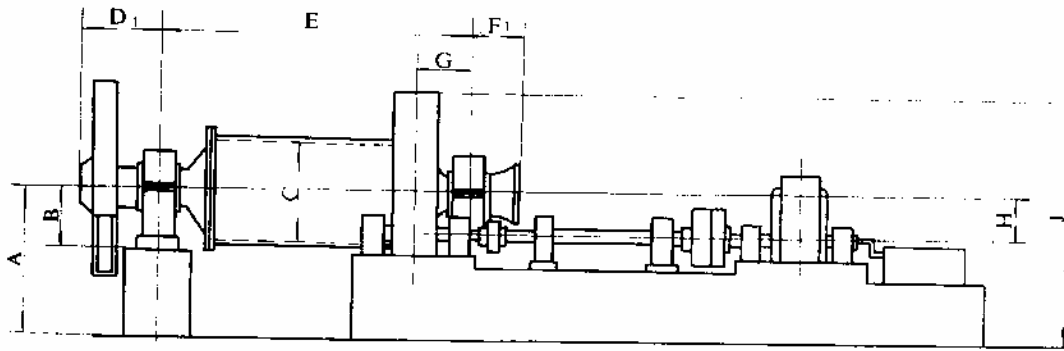
Outline Dimension Table of Wet Ball Mill with Synchronous Motor

规格型号 Type and specification	A	B	C	D ₁	D ₂	E	F ₁	
MQS 2736	2450	880	2700	1510	1627	5354	810	
MQY 2736		1040				5264	665	
MQY 2740						5664		
MQS 3230	2750	1040	3200	1817		5109	800	
MQS 3236						5709		
MQS 3245	3000	1200		1727		6770	1041	
MQY 3245	2750	1180			987	6504	1000	
MQY 3254						7470		
MQY 3260	2750	1180	3200	1814		8004	1000	
MQS 3639	3100	1180	3600	1990		6231	810	
MQS 3645						6831		
MQS 3650						7331		
MQS 3660	3600	1450		2000		8630		
MQY 3645	3100	1180			1990	986.7	6584	1000
MQY 3650							7084	
MQY 3660							8084	
MQY 3690	4000	1180				1463	11504	
MQY 4060	4100	1274		4000		1260	8444	
MQY 4561	4414	1350		4572		1400	9088	
MQY 5064	5030	1270	5030		1209	8787		

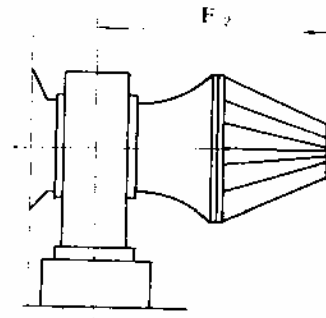
Outline Dimension Table of Wet Ball Mill with Synchronous Motor

表 11 table 11

规格型号 Type and specification	F ₂	G	H	J	K	L	M	N	
MQS 2736		912	400	4496	2100.35	11917	2895	5666	
MQY 2736		787							11450
MQY 2740									11850
MQS 3230		1287	400	5196	2534.6	13734	5000	6776	
MQS 3236					14334				
MQS 3245		1180		5652.5	2742	12712	4305	7267	
MQY 3245		1087		5196	2534.6	14689	5000	6776	
MQY 3254				15679	5040				
MQY 3260		897	400	5196	2534.6	15084	5243	6776	
MQS 3639		1189	600	6326	2708.5	15132	5350	7230	
MQS 3645						2734.2	16662	5930	7755
MQS 3650							17262	5980	
MQS 3660	2050	1410		6500	3013.59	16990	6190	8288	
MQY 3645		947		6326	2708.5	15010	5350	7230	
MQY 3650						2734.2	17257	5930	7755
MQY 3660							17440		
MQY 3690	2854.5	992		800	7493	3522.8	19187	3530	9793
MQY 4060	2620	1102		750	7429	3303.4	16555	3571	8418
MQY 4561	3005	1354.5		850	8131.5	3729.4	16463	3880	9212.5
MQY 5064	3748	1129	879	9043	4014.2	14016	3663.5	8407	



Tube feeding unit



Discharging screen

Drawing 4 Outline Drawing of Wet Ball Mill with Synchronous Motor

表 12 table 12

Foundation Dimension Table of Dry Grid Type Ball Mill

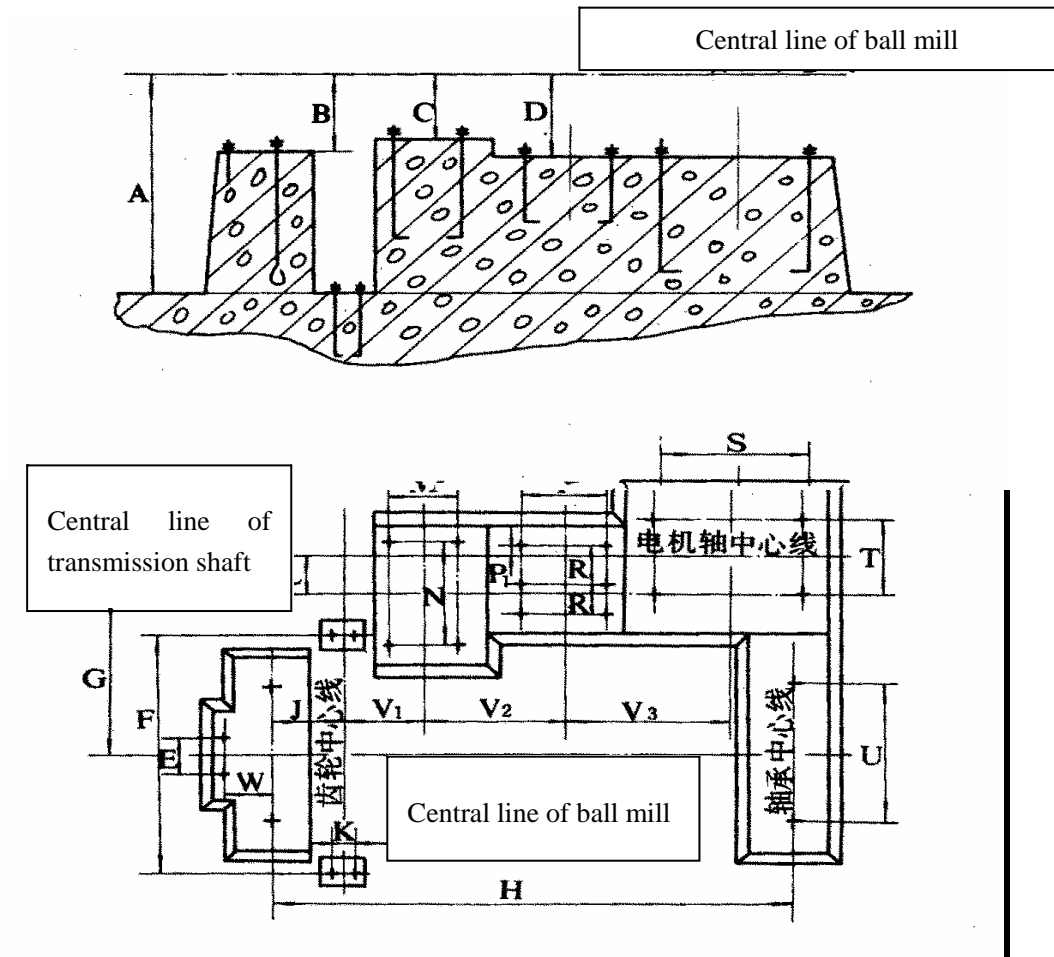
规格型号 Type and specification	A	B	C	D	E	F	G	H	J
MQG 0909	1165	410	365	445	250	1360	900.4	1550	297
MQG 0918								2450	

表 13 table13

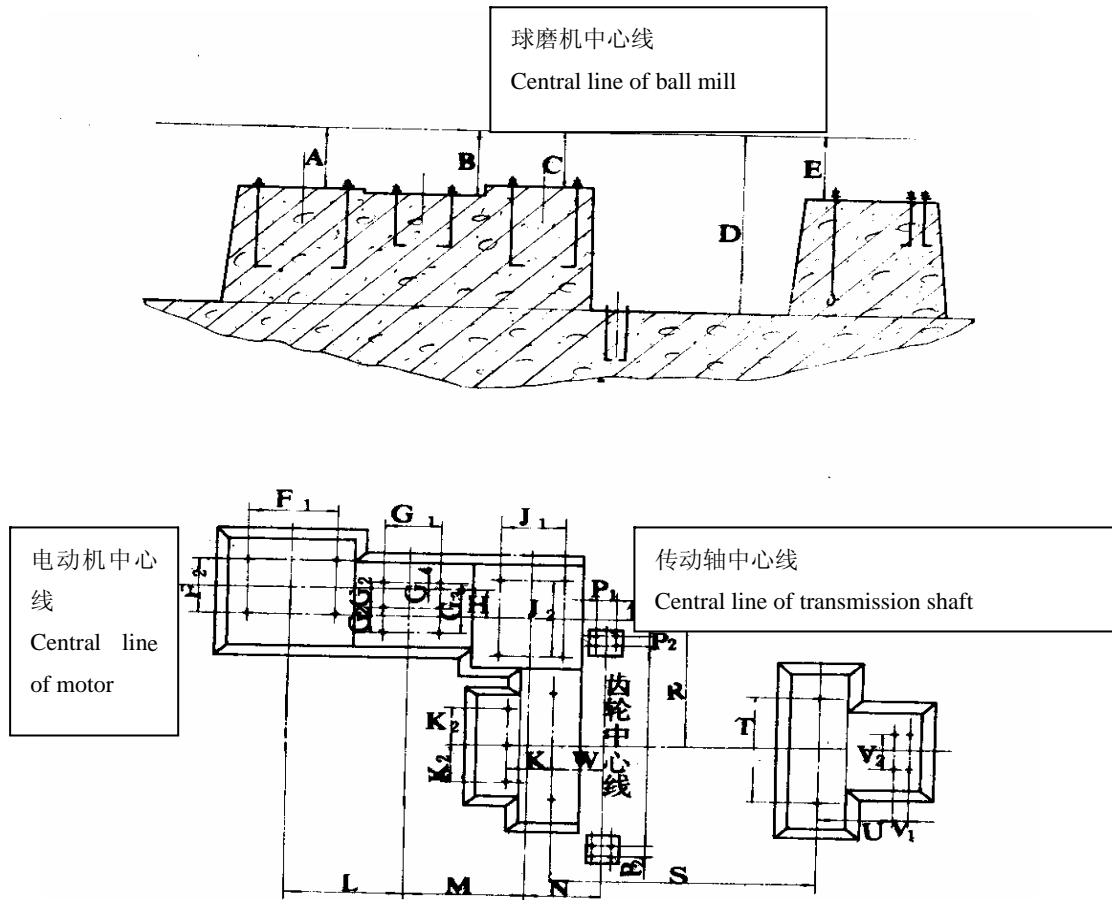
Foundation Dimension Table of Dry Grid Type Ball Mill

规格型号 Type and specification	K	L	M	N	P	R	S	T	U	V ₁	V ₂	V ₃	W
MQG 0909	120	200	320	560	330	175	450	356	780	376	770	692	237
MQG 0918												704.5	

Note: Supplied basic drawing is just for reference, design of erection refers to blueprint supplied after order.



Drawing 5 Foundation Drawing of Dry Grid Type Ball Mill



Drawing 6 Foundation Drawing of Ball Mill with Reducer (one)

table 14

Dimension Table of 1st Foundation Drawing of Ball Mill with Reducer

规格型号 Type and specification		A	B	C	D	E	F ₁	F ₂
MQS 0909		430	445	365	1165	410	450	356
MQS NAY 0918		445					470	
MQS 1212		550	620	475	1500	630	460	580
MQS NAY 1224		585					560	690
NQG 1212		550					460	580
NQG 1224							560	640

表 15 table 15

Dimension Table of 1st Foundation Drawing of Ball Mill with Reducer

规格型号 Type and specification		G ₁	G ₂	G ₃	H	J ₁	J ₂	K ₁	K ₂	L
MQS	0909	330	175		200	320	560			692
MQS	NAY 0918									704.5
MQS	1212	410		555	300	430	700			853
MQS	NAY 1224									919
NQG	1212									853
NQG	1224									909
								275	250	

带减速机的球磨机基础图（一）尺寸表

表 16 table 16

Dimension Table of 1st Foundation Drawing of Ball Mill with Reducer

规格型号 Type and specification		M	N	P	P1	P2	R	S
MQS	0909	770	376	1360	120		900.4	1550
MQS	NAY 0918							2450
MQS	1212	913	440	1300	220	100	1077.6	2205
MQS	NAY 1224							3405
NQG	1212							2205
NQG	1224							3405

table 17

Dimension Table of 1st Foundation Drawing of Ball Mill with Reducer

规格型号 Type and specification		T	U	V ₁	V ₂	W	G ₄
MQS	0909	780				297	10
MQS	NAY 0918						
MQS	1212	1060				510	20
MQS	NAY 1224						
NQG	1212						
NQG	1224						

table 18

Dimension Table of 2nd Foundation Drawing of Ball Mill with Reducer

型号规格 Type and specification		A	B	C	D	E	F	G	H ₁	H ₂
MQS	1515	730	1600	730	730	755	2580	1050	1170	605
MQS	1530				780	830	4080			
MQY	1530									
MQG	2122	800	2600	1065	1320	1045	3780	2100	1845	1150
MQS	2122	1120	2600	1065	1220	1140	3780	1650	1845	1300
MQS	2130					1190	4580			

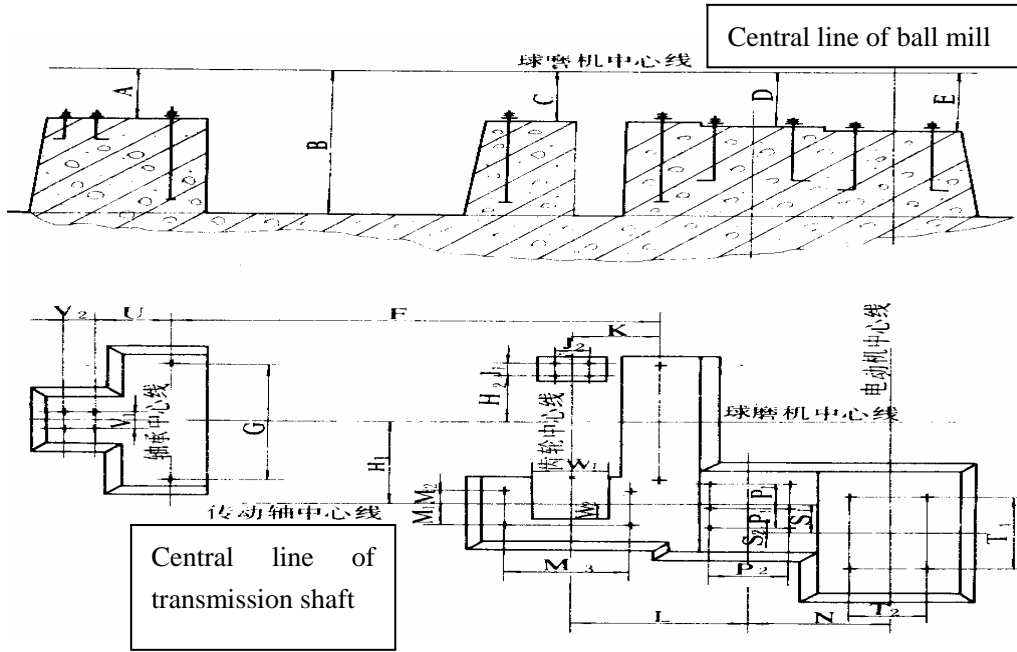
MQY							4440			
MQY	2136						5040			
MQS	2721	880	2450	750	1050	960	3924	2220	2100.35	1800
	2727						4524			
MQY	2721	1050	2580	1050	750		3800	2000	2182.11	1355

table 19

Dimension Table of 2nd Foundation Drawing of Ball Mill with Reducer

型号规格 Type and specification		J ₁	J ₂	K	L	M ₁	M ₂	M ₃	N	P ₁
MQS	1515	130	250	555	955	280	160	960	980	252.5
MQS	1530				1060				1130	295
MQY	1530									
MQG	2122	400	530	860	1395	295	295	1180	1343	600
MQS	2122	200	350	800	1325	300	300	1290	1295	530
MQS	2130			660					1315	
MQY	2136									
MQS	2721									
MQS	2727		390	912	2090	500	500	830	1565	570
MQY	2721	650	500	780	2120	370	720	1740	1615	530

型号规格 Type and specification		P ₂	S ₁	S ₂	T ₁	T ₂	U	V ₁	V ₂	W ₁	W ₂
MQS	1515	440	300	5	900	490					
MQS	1530	460	350	10	1000	550					
MQY	1530						590	240	240		
MQG	2122	870	600	140	980	660	625	400	200	430	
MQS	2122	680	600	92	1080	660				560	200
MQS	2130										
MQY	2136		500								
MQS	2721										
MQS	2727	750	600	40	1150	1220				600	240
MQY	2721			0	1270	970					



Drawing 4 Foundation Drawing of Ball Mill with Reducer (two)

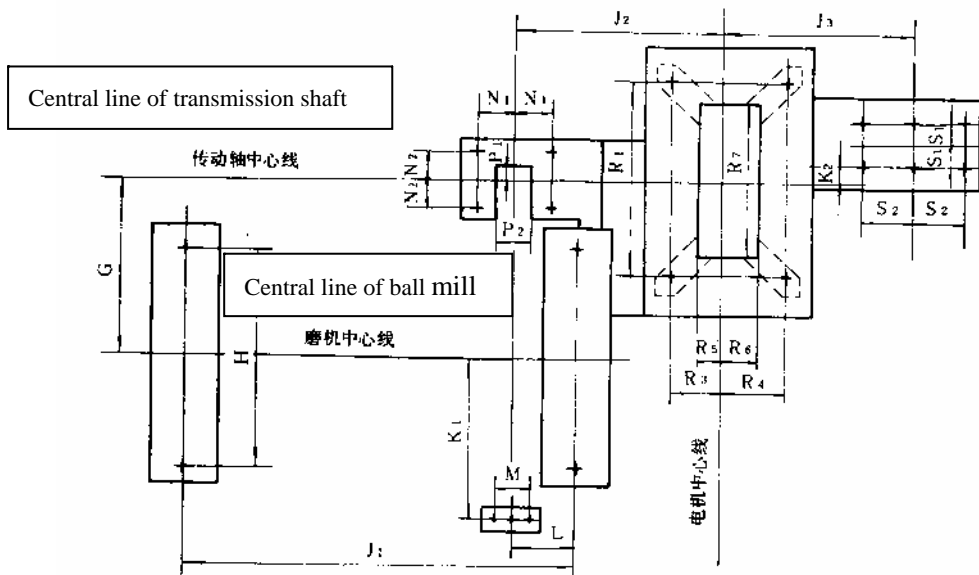
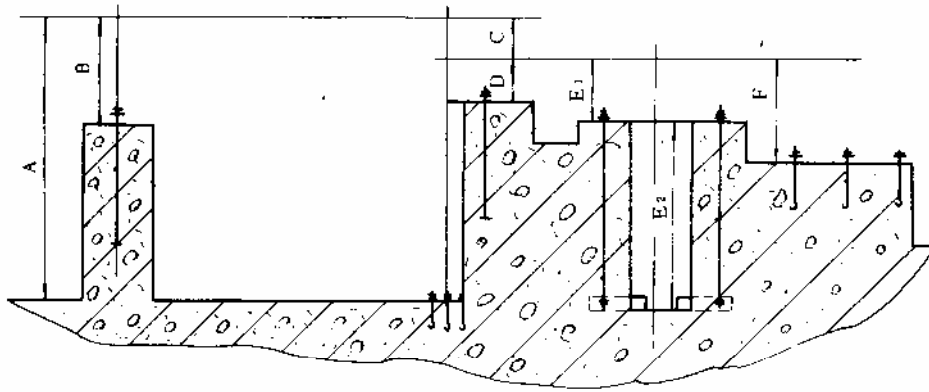
20 table 20

Foundation Dimension Table of Ball Mill with Synchronous Motor

规格型号 Type and specification	A	B	C	D	E ₁	E ₂	F	G
MQS 2736	2450	880	400	350	980	1650	890	2100.35
MQY 2736		1040						
MQY 2740		1040						
MQS 3230	2750	1040	400	450	980	1550	890	2534.6
MQS 3236		1180						
MQY 3245		1180						
MQY 3254	2750	1180	400	450	980	1550	890	2534.6
MQY 3260		1180						
MQS 3639		3600						
MQS 3645	1030		1900	2734.2				
MQS 3650	980		1550	2708.5				
MQY 3645	1030		1900	2734.2				
MQY 3650	980		1550	2708.5				
MQY 3660	1030		1900	2734.2				
MQY 3690	4000	1180	800	500	980	1500	890	3523
MQY 4060	4109	1274	750	500	980	1530	890	3303.4
MQY 4561	4423	1350	850	530	980	1530	890	3729.4
MQY 5064	5030	1270	879	530	980	2080		4012.4

Foundation Dimension Table of Ball Mill with Synchronous Motor

规格型号 Type and specification	H	J ₁	J ₂	J ₃	J ₄	J ₅	K ₁
MQS 2736	2220	5224	2895	2250			1800
MQY 2736	2400	5334		2400			
MQY 2740		5734		2250			
MQS 3230	2400	5204	5000	2250	882	2253	2000
MQS 3236		5804					
MQY 3245	2670	6504			882	2253	
MQY 3254		7404	5183	2350		2396	
MQY 3260	2670	8004	5243	2350	772	2396	2000
MQS 3639	2670	6231	5350	2000	850	2435	2355
MQS 3645		6831	5930	2350		3015	
MQS 3650		7331	5980	2400		3065	
MQY 3645		6584	5350	2000		2435	
MQY 3650		7084	5930	2350		3015	
MQY 3660		8084		2400			
MQY 3690	2670	11504	3530	2500			3048
MQY 4060	3070	8444	3571	2500			3024
MQY 4561	2790	9088	3880	2500			3376
MQY 5064	3175	8787	3663.5				3683



Drawing 8 Foundation Drawing of Ball Mill with Synchronous Motor (one)

表 22 table 22

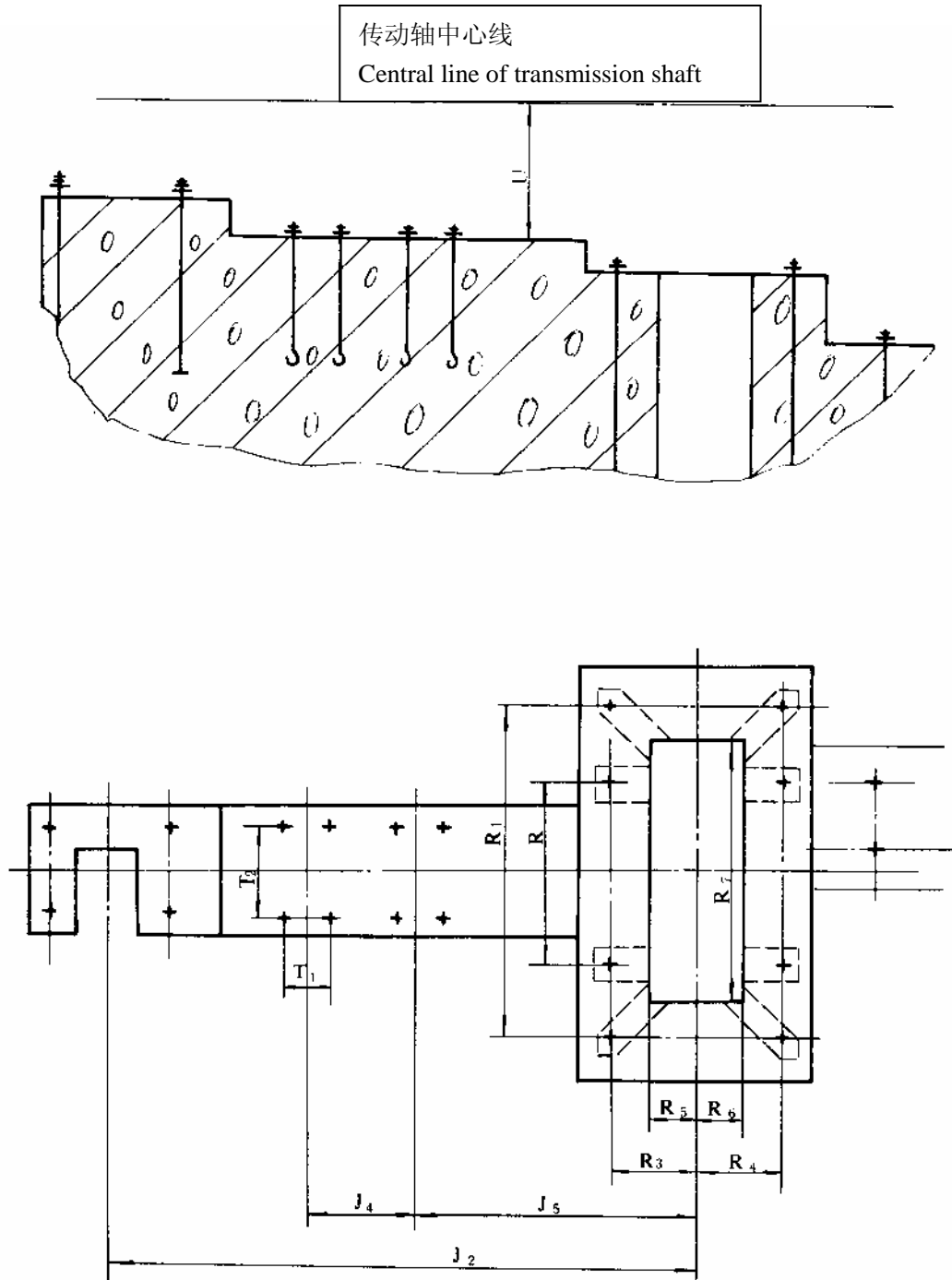
Foundation Dimension Table of Ball Mill with Synchronous Motor

规格型号 Type and specification	K ₂	L	M	N ₁	N ₂	P ₁	P ₂	R ₁	R ₂	R ₃
MQS 2736	75	912	390	415	500	240	600	2750		650
MQY 2736	85	787								
MQY 2740	75									
MQS 3230	75	1287	460	537.5	550	160	720	3200		700
MQS 3236		1087								
MQY 3245										
MQY 3254	85									
MQY 3260	85	1087		537.5	550	160	720	3200		750
MQS 3639	75	1189	462	560	680	300	700	3200		750
MQS 3645			504	610		350	800	4230	2000	1150
MQS 3650										
MQY 3645		947	462	560		300	700	3200	2000	1150
MQY 3650										
MQY 3660						85				
MQY 3690	85	992	520	610	680	370	820	3200		850
MQY 4060	85	1102	600	740	680	370	940	3200		950
MQY 4561	85	1354.5	600	800	705	370	1070	3300	1900	850
MQY 5064		1129	684	800	705	380	1070	3760	1600	950

表 23 table 23

Foundation Dimension Table of Ball Mill with Synchronous Motor

规格型号 Type and specification	R ₄	R ₅	R ₆	R ₇	S ₁	S ₂	T ₁	T ₂	U	
MQS 2736	800	450	600	2300	305	550				
MQY 2736				2300	290	600				
MQY 2740					305	550				
MQS 3230	800	460	560	2750	305	550	160	680	525	
MQS 3236										
MQY 3245										
MQY 3254	850	520	620		290	600				
MQY 3260	850	520	620	2750	290	600	160	680	525	
MQS 3639	850	520	620	2750	290	600	130	750	500	
MQS 3645	1200	850	900	3760						
MQS 3650	1250	900	950							
MQY 3645	850	520	620							
MQY 3650	1200	850	900	3760	305	550				
MQY 3660					290	600				
MQY 3690	950	610	710	2750	290	600				
MQY 4060	1100	665	815	2910	290	600				
MQY 4561	1000	600	750	2750	290	600				
MQY 5064	1500	815	1365			600				



Drawing 9 Foundation Drawing of Ball Mill with Synchronous Motor (two)

kg Weight Table of Each Unit

表 24 table 24

型号规格 Type and specification	给料部 Feeder unit	进料部 Feeding unit	筒体部 Shell unit	轴承部 Bearing unit	传动部 Transmission unit	出料部 Discharging unit	地基部 Base unit	电气部 Electric unit	最大件重量 Weight of largest part	
MQG 0909	198	604	1082	2×311	887	618	110	50	大齿轮 Gear wheel 480	
MQG 0918			2040				123		筒体 Shell 585	
MQS 0909	230		1082			562	110		大齿轮 Gear wheel 480	
MQS 0918			2040				123		筒体 Shell 585	
MQY 0918			633							
MQG 1212	180	1374	2277	2×847	1659	2721	221	100	出料端盖 Discharging head 1550	
MQG 1224			4238				257			
MQS 1212	627	1426	2277	2×853	1710	2475	221		出料端盖 Discharging head 1010	
MQS 1224			4238				257		1010	
MQY 1224										
MQG 1515	160	2030	3626	2×890	2130	2710	296	250	出料端盖 Discharging head 1320	
MQG 1530			6918				378		筒体 Shell 1980	
MQS 1515	660	2110	3626			2590	296		出料端盖 Discharging head 1320	
MQY 1530			6918				378		筒体 Shell 1980	
MQY 1530	70	2065	6600			2270	432			
MQG 2122	595	5800	8200	2×2050	6820	7321	2996		大齿轮 Gear wheel 3950	
MQS 2122	1870	5873	10230	2×2812	6862	7623	233	150	大齿轮 Gear wheel 3950	
MQS MQY	2130		1870						13770	大齿轮 Gear wheel 3950
MQY 2136	1461		19063						2×3200	5913
MQS 2721	2690		9930	14900	2×1990	9150	12000	3240	出料端盖 Discharging head 6300	
MQS 2727		18700								
MQS 2736		24700		2×2700	11900	2660	筒体 Shell 7580			
MQY 2736		26800					筒体 Shell 8250			
MQY 2740	11200									
MQS 3230	5350	18380	27135	2×2700	15200	25155	3208	出料端盖 Discharging head 13000		
MQS 3236			32160							
MQY 3245			18300	39580				2×3400	19300	3628
MQY 3254	47255	筒体 Shell 14930								
MQY 3260	4200	22210	53920	2×3400	16305	21800	4250	筒体 Shell 17500		

MQS 3639			42700		17500		3700		出料端盖
MQS 3645	6690	24300	49300		17700	33600	3860		Discharging head 17000
MQS 3650			56600	2×3400	19600		3550		筒体 Shell 18000
MQY 3645		24300	49300		17500		3700		筒体 Shell 14700
MQY 3650	5120	24300	56600		17700	24400	3520		筒体 Shell 18000
MQY 3660		24300	67500				3860		筒体 Shell 21400
MQY 3690		2140	14000	2×4127	34500	1131	4294	650	筒体 Shell 33700
MQY 4060		3650	143400	2×5782	34356	2236	4950	650	端盖 21835
MQY 4561		4010	187000	2×6270	41610	2232	5550	650	筒体 Shell 10700
MQY 5064		34800	149900	2×6040	48980	37130	4370		半筒体 Semi-shell 1、34700

Quality Certifications



Pathrosrep SAC es representante comercial de de LMM Group desde el 2014 para las Áreas de Negocios en Minería, Construcción, Energía, Petróleo, Puerto, Aeropuertos, áreas para las que LMM dispone de soluciones de éxito, confirmadas en proyectos Llave en Mano o EPCM ejecutados que conforman la base de la experiencia de su Área Técnica (ver Experiencia) y Comercial.

Nota. Desde Septiembre 2014, las Oficinas de LMM Group están en Spring Garden D-403, Building 5. Dalian City, China